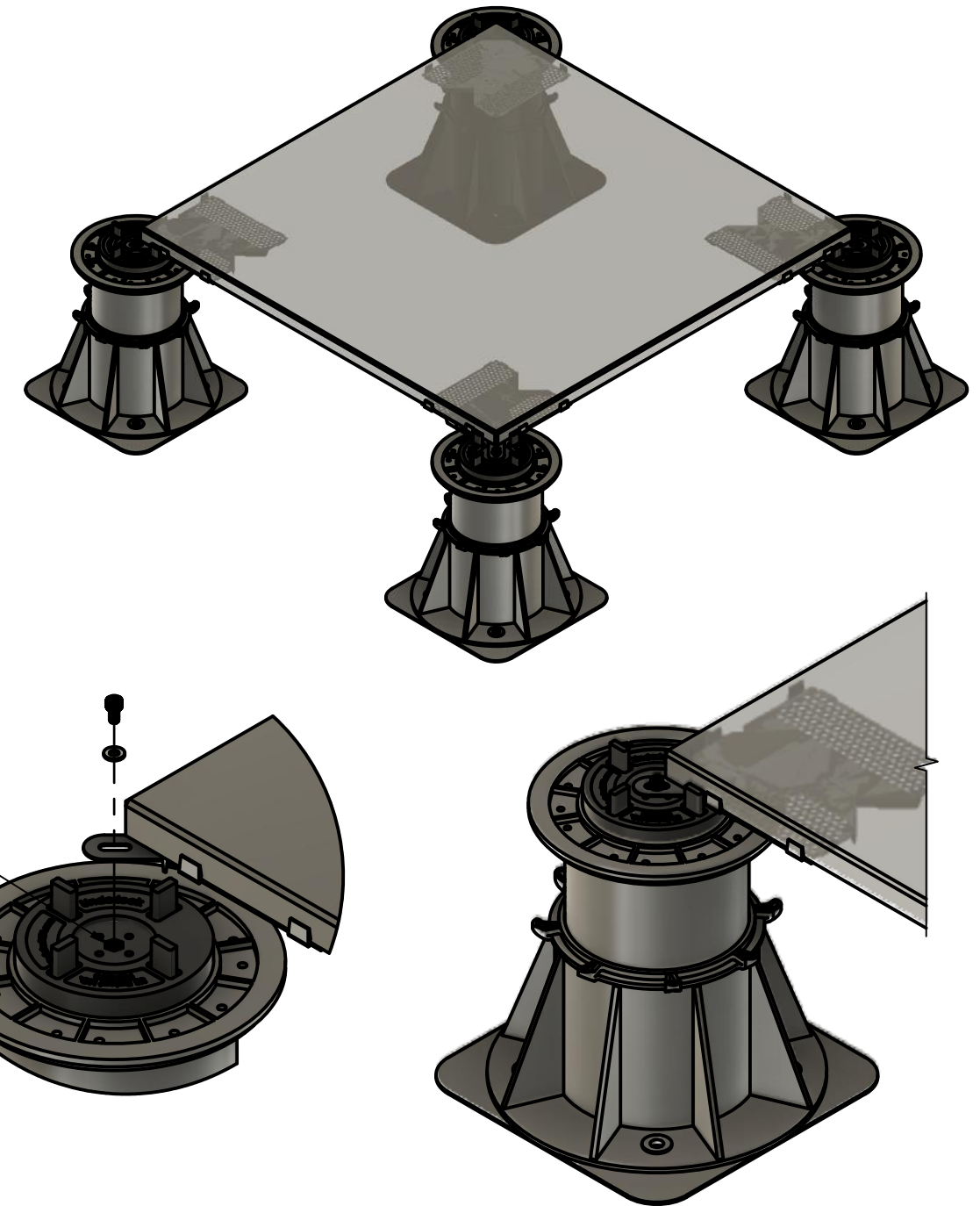


COUPLER FLUSH WITH ULSD316-M



		PROJECT		
		Underlock		
		TITLE		
		Thru-Pedestal Lock Down		
APPROVED	SIZE	CODE	DWG NO	REV
CHECKED	B			
DRAWN	Waylon Ehlers	4/24/2023	SCALE 1:8	WEIGHT
			SHEET 1/1	